

4 Enter the component's code number. For example, if you're entering the code for a Philips VCR, you would press 030.

0 3 0
Your Code Number

5 Press and release the ENT button to store the code number in the Commander's memory.

ENT

6 Go to "Step 2: Checking if the Code Number Works" to finish setting up.

If you press a wrong button in step 4

Press the POWER button while pressing the SET button and then go back to step 3.

Step 2: Checking if the Code Number Works

1 Power on the component you want to set up.

2 Aim the Remote Commander at the component and press a button to check if that button works. For example, press the POWER button to see if it works on your component.

3 Check that the other buttons of the Commander is operating the corresponding functions of the component.

You can write down the code number on the label inside the battery compartment lid.

If the Commander Doesn't Seem to Be Working...

- First, try repeating these setup procedures using the other codes listed for your component (see the supplied "Component Code Numbers").
- If - after trying all the codes listed for your component - you still cannot get the Commander to work properly, try the search method described in "Searching for the Correct Code."

Searching for the Correct Code

If you've tried all the code numbers listed for your component and you still cannot get the Commander to work (or if your component is not listed in the "Component Code Numbers" tables), try these steps.

- Power on the component you want to set up. Insert a tape or disc if necessary.
- While pressing the SET button, press the POWER button.
- Press the button of the component on the Commander that you want to set up.
- Press and release the CH+ button. Then press and release the POWER button.
- Repeat step 4 until the correct code number is found. Each time you press the CH+ button and then the POWER button, a new code number will be transmitted. Keep trying until your component operates by receiving the transmitted signal from the Commander (e.g., the power turns off, the CH+ function works, playback starts, etc.) Be patient as you do this; it may take about 70 tries until the correct code number is located.
- When the correct code is found, press the ENT button to store the code number in the Commander's memory.
- Check that the Commander is operating the other functions of your component by pressing the corresponding buttons on the Commander. If they seem to be working properly, you're done setting up the Commander.

If the component does not operate properly, repeat steps 1 to 6 and search for another code.

If you still cannot get the Commander to work properly, see "Troubleshooting."

Changing the Component Type on the CBL/SAT and DVD buttons

At the factory, "cable box" is assigned on the CBL/SAT button and "DVD player" on the DVD button. By completing the following procedure, you can change this setting so that you can set up any component on these buttons.

- While pressing the SET button, press the POWER button.
- Press the CBL/SAT or DVD button.
- Press and release the ■ (stop) button.
- Press and release one of the following buttons;
 - to assign a VCR
 - to assign a digital satellite receiver, a digital cable box or a digital video recorder
 - to assign a TV
 - to assign an analog cable box
 - to assign a DVD

- Power on the component you want to set up.
- Aim the Remote Commander at the component and press a button to check if that button works.
- Check that the other buttons of the Commander is operating the corresponding functions of the component.

Operating a Component

1 Press the button of the desired component on the Commander.



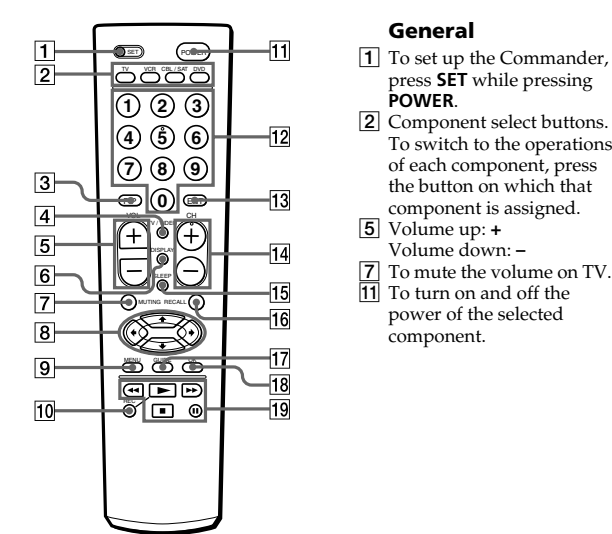
- Point the Commander directly at the component.
- Press the button for the function you want to use.

See "Remote Button Descriptions" for complete descriptions of the buttons on the Commander.

Notes on Using the Remote Commander

- Basically, use this Commander in the same way as the Commanders supplied with your components.
- Using this Commander will not increase the functions of your components. The functions of the Commander are limited to the functions of the components themselves. For example, if your TV does not have a MUTE function, the MUTE button on this Commander will not function with your TV.
- Some functions of the component may not work with this Commander.
- If your cable box can control volume, be sure to set its volume switch to a medium position. If the volume on the cable box is turned down completely, you will not be able to adjust your TV's volume with the Commander.

Remote Button Descriptions



General

- To set up the Commander, press SET while pressing POWER.
- Component select buttons. To switch to the operations of each component, press the button on which that component is assigned.
- Volume up: +
- Volume down: -
- To mute the volume on TV.
- To turn on and off the power of the selected component.

Operating a TV

- To operate the Picture-in-Picture function. Press each button or combination of buttons as described in the table below.
- To change the input mode.
- To display the current channel on TV.
- To move the cursor upward, downward, to the left, or to the right.
- To call up the MENU display.
- and 13 To change the channel. For example, to change to channel 5, press 0 and 5 (or press 5 and ENT).
- To operate JUMP, FLASHBACK or CHANNEL RETURN function on the TV depending on the setting of the TV's manufacturer.
- To enter the selection.

PIP operations

Press	To
PIP	Turn on/off the "window" picture.
GUIDE	Turn off the "window" picture.
◀◀ or ▶▶	Change the TV channel in the "window" picture.
■REC	Change the input mode of the "window" picture.
■	Move the location of the "window" picture.
▶	Swap the "main" picture and the "window" picture.
■	Freeze the "window" picture.

Operating a VCR

- To switch the antenna output.
- To expose the on-screen display.
- To move the cursor upward, downward, to the left, or to the right.
- To call up the MENU display.
- and 19
 - To play.
 - To stop.
 - To rewind.
 - To fast-forward.
 - REC: To record, press while pressing REC.

Operating a DVR (Digital video recorder)

- To call up the title of the recorded program.
- To switch the output of the SAT receiver to the TV. (When connecting a TV cable or antenna to the receiver, the output switches between a TV and SAT program.)
- To select the desired recorded program. (It is necessary to have recorded the desired program.)
- To turn on the display. (*THUMBS-) To select the desired recorded program. (It is necessary to have recorded the desired program.)
- To move the cursor upward, downward, to the left, or to the right.
- To call up the MENU display. (*EPG) To access to all aspects of the service. (*Live TV) To bring up Master Guide.
- and 19
 - To play.
 - To rewind.
 - To fast-forward.
- To record, press while pressing REC. First release REC, then release REC. To stop recording, perform the same procedure.
- To pause.
- To change the channel For example, to change to channel 5, press 0 and 5 (or, press 5 and ENT).
- CH+: Channel up. (*PAGE+) Page up. (*THUMBS-) CH-: Channel down. (*PAGE-) Page down.
- To clear the setting. To exit the setting menu.
- (*REPLAY) To replay. Or to go into REC/REVIEW mode during play. (After about 5-second rewind, replay begins.)
- To bring up Master Guide. (*Live TV) To bring up Master Guide.
- To bring up the Station Index when a program guide is not displayed. To select the channel that is highlighted.

*1 This key corresponds to Tivo service or the replay service. Refer to its instruction manual for details.

Operating an analog cable box

- and 13 To change the channel. For example, to change to channel 5, press 0 and 5 (or press 5 and ENT).
- Channel up: + Channel down: -
- To operate JUMP, FLASHBACK or CHANNEL RETURN function on the TV depending on the setting of the TV's manufacturer.

Operating a DVD

- There may be cases you may turn on/off the cable box by pressing the CH+ or CH- buttons on the Commander.
- If your cable box can control volume, be sure to set its volume control to a medium position. If the volume on the cable box is turned down completely, you will not be able to adjust your TV's volume with the Commander.

Operating a digital cable box

- To use the "FAVORITE" function
- To switch the output of the SAT receiver to the TV. (When connecting a TV cable or antenna to the receiver, the output switches between a TV and SAT program.)
- To turn on the display.
- To move the cursor upward, downward, to the left, or to the right.
- To call up the MENU display.
- and 19
 - To play.
 - To rewind.
 - To fast-forward.
 - REC: To record, press while pressing REC. First release REC, then release REC. To stop recording, perform the same procedure.
 - To pause.
 - To change the channel. (for example, to change to channel 5, press 0 and 5, or press 5 and ENT).
 - CH+: Channel up. CH-: Channel down.
 - To exit the setting menu.
 - To turn on the display of a shortcut menu.
 - To call up the title bar and toggle the title bar on/off in CABLE mode.
 - To bring up the Station Index when a program guide is not displayed. To select the channel that is highlighted.

*2 The operation of the built-in DVR or the video on demand.

Operating a digital satellite receiver

- To use the "FAVORITE" function.
- To switch the output of the digital satellite receiver to the TV. (When you connect a TV cable or antenna to the receiver, the output switches between a TV and SAT program.)
- To scroll through the Master Guide.
- To call up the MENU display.
- and 13 To change the channel. For example, to change to channel 5, press 0 and 5 (or press 5 and ENT).
- Channel up: + Channel down: -
- CH+: To proceed to the next location or song. Channel up. CH-: To proceed to the previous location or song. Channel down.
- To switch the subtitle.
- To display the title menu.
- To clear the selected characters from the screen.
- To execute items selected from the screen.
- To play.
 - To rewind.
 - To fast-forward.
 - To stop.
 - To pause.

Specifications

- Operable distance** Approx. 7 m (23 ft) (varies depending of the component of each manufacturer)
 - Power requirements** Two size AA (R6) batteries (not supplied)
 - Battery life** Approx. 6 months (varies depending on frequency of use)
 - Dimensions** Approx. 55 × 200 × 32 mm (w/h/d) (2 1/8 × 7 7/8 × 1 1/16 in.)
 - Mass** Approx. 95 g (3.4 oz.) (not including batteries)
- Design and specifications are subject to change without notice.



The CE mark on the unit is valid only for products marketed in the European Union.

Troubleshooting

- If you have problems setting up or using the Commander:
 - When setting up the Commander, carefully go through the procedures described in "Setting the Code." If the code that's listed first for your component doesn't work, try all the codes for your component - in the order in which they're listed. If all the codes fail to work (or if your component is not listed in this manual), try using the procedures in "Searching for the Correct Code."
 - Check that you're aiming the Commander directly at the component, and that there are no obstructions between the Commander and the component.
 - Make sure the batteries you're using are not worn out, and that they're inserted correctly.
 - Check that the button of the TV, VCR, CBL/SAT, or DVD is pressed to choose your desired component.
 - Check that the component has infrared remote capability. For example, if your component didn't come with a remote commander, it probably isn't capable of being controlled by a remote commander.
 - Should any problem persist, reset the Commander to the factory setting by pressing the POWER, TV/VIDEO and VOL- buttons simultaneously.

For the customers in the U.S.A. Customer Support Information

If - after you've read through this manual - you still cannot get the Remote Commander to work properly, call the Sony Customer Support Helpline at 1-800-822-2217.

Component code numbers / Números de código de componentes

English

Analog cable box/ Adaptador para cable analógico

Brand	Code No.
Hamlin/Regal	022, 023, 024, 025, 026
Jerrold/G.I	031, 001, 002, 003, 004, 005, 006, 007, 008, 018, 022, 032
Oak	027, 028, 029
Panasonic	019, 020, 021
Pioneer	014, 015
Scientific Atlanta	009, 010, 011
Tocom	031, 016, 017
Zenith	012, 013

Español

Digital cable box/ Decodificador digital

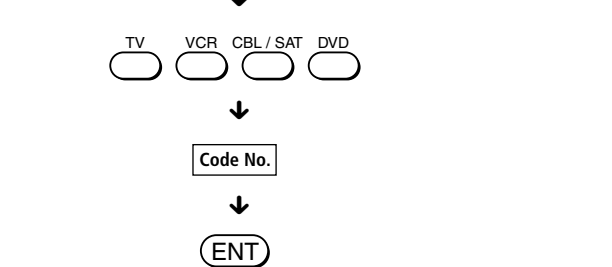
Brand	Code No.
Sony	013
Jerrold/G.I.	015
Motorola	015
Panasonic	021
Philips	016
Scientific Atlanta	014

SAT

Brand	Code No.
DirecTV	Sony 001
	Hitachi 005
	Hughes 004
	Panasonic 003
	RCA/Proscan 002, 007
	Toshiba 006

While pressing the SET button, press the POWER button.

Al tiempo que mantiene presionado el botón SET, presione el botón POWER.



DVR (Digital Video Recorder)/ DVR (Videograbadora digital)

Brand	Code No.
Sony	017, 018, 019
Philips	020
Philips	012
Pioneer	004, 019, 021, 033
RCA	005
Samsung	014, 041
Sharp	011, 048
Shinco	022
Sylvania	020, 044, 049
Thomson	013
Toshiba	003, 038, 039, 046
Yamaha	006
Zenith	009, 047

Continued on reverse side / Continúa en el reverso

TV/VCR/COMBO

Brand	Component	Code No.
Sony	VCR (VTR1:Betamax)	001
	VCR (VTR2:8mm)	002
	VCR (VTR3:VHS)	003
	VCR (VTR4:DV)	004
	VCR (VTR5:DV)	005
	VCR (VTR6:DV)	006
	TV	001
Admiral	VCR	030
	TV	002, 014, 009
Aiwa	VCR	041, 050, 035
Akai	VCR	052, 053, 054
	TV	003
AOG	TV	012
Audínac	TV	034
Audio Dynamic	VCR	017, 040
Bell&Howell	VCR	033, 046
	TV	014, 009, 038
Broksonic	VCR	018, 007, 048
	TV	003, 012, 072
Canon	VCR	012, 011
Citizen	VCR	035
Craig	VCR	018, 035
	TV	022, 034, 020, 021
Croslex	TV	011
Crown	TV	034
Curtis Mathis	VCR	007, 041, 012
	TV	003, 019, 034
Daewoo	VCR	044, 015, 012, 064
	TV	035, 036, 003, 041, 029
Daytron	TV	013
DBX	VCR	017, 039, 040
Dimensia	VCR	007
Emerson	VCR	044, 022, 023, 019, 020, 021, 041, 058
	TV	022, 013, 020, 021, 003, 015, 042, 034
	TV/VCR COMBO	TV021&VCR023, TV021&VCR022, TV020&VCR058
Fisher	VCR	033, 037, 038, 036
	TV	025
Funai	VCR	041
General Electric	VCR	032, 007, 012, 062
	TV	002, 018, 003, 007, 045
	TV/VCR COMBO	TV027&VCR024, TV027&VCR025
GoldStar/LG	VCR	035
	TV	003, 013, 012, 030, 046, 050, 051, 049
GO VIDEO	VCR	051, 042, 043
Hitachi	VCR	011, 007, 008
	TV	031, 013, 003, 032
HQ	VCR	015
Instant Replay	VCR	012, 011
JC Penny	VCR	030, 031, 038, 007, 033, 017, 039, 040
	TV	003, 002, 030, 007
JVC	VCR	017, 047, 048, 049, 039, 040
	TV	028
Kenwood	VCR	017, 039, 035, 040
KTV	TV	033, 013, 003, 034
LXI(Sears)	VCR	041, 035, 008, 036, 037, 033, 038, 052
	TV	002, 003, 011, 025, 019, 012, 052
Magnavox	VCR	013, 011, 012, 010, 063
	TV	011, 012, 013, 003, 043, 047
	TV/VCR COMBO	TV011, 018, 047&VCR012, 013
Marantz	VCR	017, 039, 040
	TV	024
Marta	VCR	035
Memorex	VCR	012, 038
Minolta	VCR	008, 007

Brand	Component	Code No.
Mitsubishi/MGA	VCR	026, 027, 028, 029, 056, 057, 065, 059
	TV	024, 003, 012, 066
Multitech	VCR	028, 041, 024
NEC	VCR	017, 039, 040
	TV	003, 012
Olympic	VCR	012, 011
Optimus	VCR	027
Orion	VCR	055
Panasonic	VCR	009, 010, 011, 012, 060
	TV	018, 016, 007, 049, 067, 074, 076
	TV/VCR COMBO	TV018&VCR011, TV018&VCR012
Pentax	VCR	008, 007
Philco	VCR	011, 012, 044, 020
	TV	011, 013, 003, 068, 035, 031
Philips	VCR	035, 013, 011, 012, 063
	TV	011, 056, 043, 017
Pioneer	VCR	011
	TV	037, 018, 019
Portland	TV	003, 008
Quasar	VCR	011, 012, 009, 010, 006
	TV	018, 007, 048
	TV/VCR COMBO	TV018, 048&VCR012, 009, 010
Radio Shack	TV	002, 012, 024, 023
RCA/PROSCAN	VCR	007, 008, 011, 012, 013, 014, 015, 016
	TV	002, 003, 004, 005, 006, 007, 008, 044, 045, 046, 053
	TV/VCR COMBO	TV018&VCR011
Realistic	VCR	012, 033, 031, 038, 027, 041
Samsung	VCR	025, 016, 024
	TV	026, 012, 013, 003, 055
	TV/VCR COMBO	TV034, 027&VCR024, 025, 029
Sansui	VCR	017
Sanyo	VCR	033, 038, 046, 044, 035
	TV	025, 023, 054
Scott	VCR	015, 016, 024, 038, 026, 027, 028, 029
	TV	034, 012
Sharp	VCR	030, 031
	TV	014, 013, 015, 070
Shintom	VCR	018
Signature 2000	VCR	041, 030
	TV	014, 009
Singer	VCR	018
Sylvania	VCR	013, 011, 012, 041
	TV	011, 012, 003, 073
Symphonic	VCR	041
	TV	023, 039, 040, 034
	TV/VCR COMBO	TV034&VCR041
Tashiro	VCR	035
Tatung	VCR	017, 039, 040
Teac	VCR	017, 039, 041, 040
Technics	VCR	012, 011
Toshiba	VCR	015, 014, 052
	TV	060, 019, 014, 052, 059, 075
Videh	TV	031, 003, 012
Wards	VCR	030, 031, 038, 034, 035
	TV	013, 003, 015, 012
Yamaha	VCR	033, 017, 039, 040
Zenith	VCR	034
	TV	009, 010

Español

Para los clientes de EE. UU.

ADVERTENCIA

Este equipo ha sido probado y se ha encontrado que cumple con los límites para dispositivos digitales de Clase B, de acuerdo con la Parte 15 de las normas de la FCC. Estos límites han sido diseñados para proporcionar una protección razonable contra interferencias perjudiciales en una instalación residencial. Este equipo genera, utiliza, y puede radiar energía de radiofrecuencia y, si no se instala y utiliza de acuerdo con las instrucciones, puede causar interferencias perjudiciales en las radiocomunicaciones. Sin embargo, no existe ninguna garantía de que tales interferencias no se produzcan en una instalación particular. Si este equipo causa interferencias perjudiciales, lo que podrá determinarse desconectando y volviendo a conectar su alimentación, se ruega que el usuario corrija las interferencias tomando una o más de las medidas siguientes:

- Reorientación o reubicación de la antena receptora.
- Aumento de la separación entre el equipo y el receptor.
- Conexión del equipo a un tomacorriente diferente del utilizado por el receptor.
- Solicitud de ayuda al proveedor o a un técnico de radio/televisión experimentado.

Tenga en cuenta que cualquier cambio o modificación no expresamente aprobado en este manual puede anular su autoridad para utilizar este equipo.

Preparación del telemando

Sobre el preajuste del telemando
El telemando ha sido preajustado en fábrica para gobernar componentes de marca Sony.

Si va a utilizar el telemando con componentes Sony, no necesitará preajustarlo antes de comenzar a utilizarlo.

Para ajustar el telemando a fin de utilizarlo con componentes de otros fabricantes (no Sony), o para usarlo con un componente que no haya sido preajustado en fábrica, tendrá que seguir las instrucciones de este manual para preajustar el telemando con los números de código correctos para sus componentes. (Consulte también los “Números de código de componentes” suministrados.)

Componente a programar	Tecla	Ajuste de fábrica
Televisor	TV	Televisor Sony
Videograbadora	VCR	Videograbadora VHS Sony
Adaptador para cable analógico/Decodificador digital	CBL/SAT	—
Sintonizador de recepción vía satélite digital/DVD/Televisor/Videograbadora/DVR (Videograbadora digital)	DVD	Reproductor de discos DVD Sony
Symphonic	VCR	041
	TV	023, 039, 040, 034
	TV/VCR COMBO	TV034&VCR041
Tashiro	VCR	035
Tatung	VCR	017, 039, 040
Teac	VCR	017, 039, 041, 040
Technics	VCR	012, 011
Toshiba	VCR	015, 014, 052
	TV	060, 019, 014, 052, 059, 075
Videh	TV	031, 003, 012
Wards	VCR	030, 031, 038, 034, 035
	TV	013, 003, 015, 012
Yamaha	VCR	033, 017, 039, 040
Zenith	VCR	034
	TV	009, 010

Notas

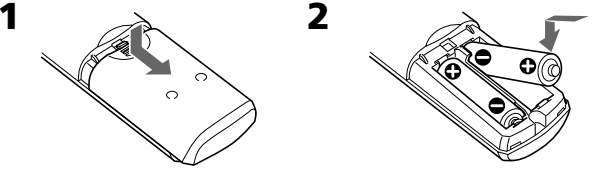
• El telemando solamente podrá programarse para controlar a la vez un componente por tecla, a menos que sus números de código sean iguales. Por ejemplo, usted no podrá programar el telemando para controlar un televisor Sony y otro Panasonic simultáneamente (porque sus números de código son diferentes).

• Quizás no pueda gobernar un componente Sony con el preajuste de fábrica. En tal caso, realice el procedimiento de “Programación del código.”

Colocación de las pilas

Antes de reemplazar las pilas, tenga unas nuevas preparadas.

Deslice y abra el compartimiento de las pilas, e inserte dos pilas de tamaño AA (R6) (no suministradas). Cerciórese de alinear + y – de las pilas con + y – del compartimiento de las mismas.



Cuándo reemplazar las pilas

En condiciones normales, las pilas durarán hasta 6 meses. Si el telemando no funciona adecuadamente, es posible que las pilas estén agotadas. Reemplace las pilas por otras nuevas.

Notas

- Reemplace ambas pilas por otras nuevas.
- No tarde más de 3 minutos en reemplazar las pilas, porque de lo contrario su ajuste de números de código se borrará.

Notas sobre las pilas

- No mezcle una pila nueva con otra vieja, ni dos de tipos diferentes.
- Si se fuga el electrolito de las pilas, limpie la parte contaminada del compartimiento de las pilas con un paño y reemplace las pilas viejas por otras nuevas. Para evitar la fuga del electrolito, extraiga las pilas cuando no vaya a utilizar el telemando durante mucho tiempo.

Programación del código

Realice los pasos 1 y 2 siguientes para cada componente que planea utilizar con el telemando.

Paso 1: Introducción del número de código

1 Consulte los “Números de código de componentes” suministrados, y busque el número de código de tres cifras para el componente deseado.

Si hay más de un número de código en la lista, utilice el primero de ellos para completar los pasos siguientes. Por ejemplo, para una videograbadora Philips, utilice el número de código 035.

Si su componente no está en la lista, consulte “Búsqueda del código correcto.”

2 Al tiempo que mantiene presionado el botón **SET**, presione el botón **POWER**.

3 Presione la tecla del componente que desee ajustar.

Nota

En las teclas **CBL/SAT** y **DVD** se han asignado respectivamente en la fábrica “adaptador para cablevisión” y “reproductor de discos DVD”. Pero usted también podrá asignar otros componentes a estas teclas. Con respecto a los detalles, consulte “Cambio del tipo de componentes de las teclas **CBL/SAT** y **DVD**”.

4 Introduzca el número de código del componente. Por ejemplo, para introducir el código para una videograbadora Philips, presione ⓪ **3** **5**. Su número de código

5 Presione la tecla **ENT** para almacenar el número de código en la memoria del telemando.

6 Para finalizar la programación, vaya al “Paso 2: Comprobación del funcionamiento de un número de código.”

Si ha presionado una tecla errónea en el paso 4

Al tiempo que mantiene presionado el botón **SET**, presione el botón **POWER**, y después vaya al paso 3.

Paso 2: Comprobación del funcionamiento de un número de código

1 Conecte la alimentación del componente que desee ajustar.

2 Apunte con el telemando hacia el componente y presione una tecla para comprobar si trabaja. Por ejemplo, presione la tecla **POWER** para ver si trabaja en su componente.

3 Compruebe si las otras teclas del telemando controlan las funciones correspondientes del componente.

Usted podrá escribir el número de código en la etiqueta del interior de la tapa del compartimiento de la batería.

Si el telemando parece que no trabaja...

- En primer lugar, repita estos procedimientos de programación utilizando los otros códigos de la lista para su componente (consulte las tablas de “Números de código de componentes”).
- Si, después de haber probado todos los códigos de la lista para su componente, el telemando sigue sin trabajar adecuadamente, consulte el método de búsqueda descrito en “Búsqueda del código correcto.”

Búsqueda del código correcto

Si ha intentado todos los números de código de la lista para su componente y el telemando sigue sin trabajar (o si sus componentes no están indicados en las tablas de “Números de código de componentes”), pruebe estos puntos.

1 Conecte la alimentación del componente que desee ajustar. Si es necesario, inserte un cassette o un disco.

2 Al tiempo que mantiene presionado el botón **SET**, presione el botón **POWER**.

3 Presione la tecla del componente que desee ajustar.

4 Presione y suelte la tecla **CH+**. Después presione y suelte la tecla **POWER**.

5 Repita el paso 4 hasta que encuentre el número de código correcto. Cada vez que presione la tecla **CH+** y después la tecla **POWER**, se transmitirá un nuevo número de código.

Continúe intentándolo hasta que su componente funcione al recibir la señal transmitida desde el telemando (p. ej., se desconecta la alimentación, la función de CH+ trabaja, se inicia la reproducción, etc.). Tenga paciencia cuando realice esto, porque es posible que tenga que realizar 70 intentos hasta encontrar el número de código correcto.

6 Cuando encuentre el código correcto, presione la tecla **ENT** para almacenar el número de código en la memoria del telemando.

7 Compruebe si el telemando controla las otras funciones de su componente presionando las teclas correspondientes de dicho telemando. Si parece trabajar correctamente, habrá finalizado el preajuste del telemando.

Si el componente no funciona correctamente, repita los pasos 1 a 6 y busque otro código.

Si el telemando sigue sin trabajar adecuadamente, consulte “Solución de problemas.”

Cambio del tipo de componente de las teclas CBL/SAT y DVD

En la fábrica “adaptador para cablevisión” se ha asignado a la tecla **CBL/SAT** y el “reproductor de discos DVD” en la tecla **DVD**. Al realizar el procedimiento siguiente es posible cambiar este ajuste de forma que pueda ajustar cualquier componente con estos botones.

1 Al tiempo que mantiene presionado el botón **SET**, presione el botón **POWER**.

2 Presione la tecla **CBL/SAT** o **DVD**.

3 Presione y suelte la tecla ■ (parada).

4 Presione y suelte una de las teclas siguientes:

- ⓪ para asignar una videograbadora
- ⓪ para para asignar un sintonizador de recepción vía satélite digital, adaptador para cable digital, o una videocámara digital
- ⓪ para asignar un televisor
- ⓪ para asignar un adaptador para cable analógico
- ⓪ para asignar un DVD

5 Presione y suelte la tecla **ENT**.

6 Introduzca el número de código del componente siguiendo los pasos 2 a 6 de “Introducción del número de código”, o los pasos 1 a 7 de “Búsqueda del código correcto.”

Control de un componente

1 Presione la tecla correspondiente al componente deseado del telemando.

2 Apunte con el telemando directamente hacia el componente.

3 Presione la tecla correspondiente a la función que desee utilizar.

Con respecto a la descripción completa de las teclas del telemando, consulte “Descripción de las teclas del telemando.”

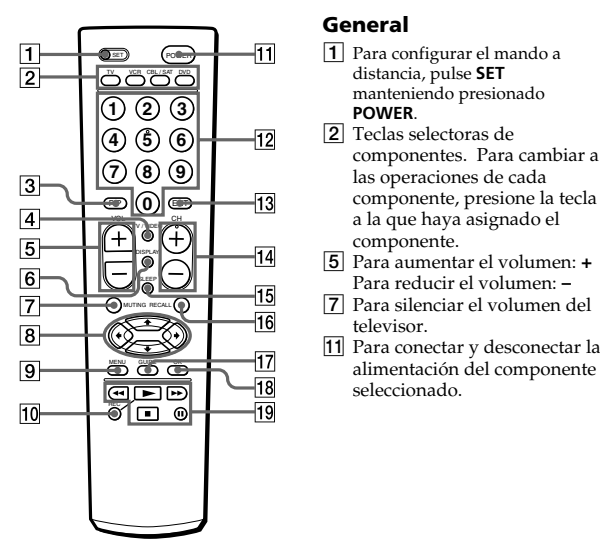
Notas sobre la utilización del telemando
Básicamente, utilice este telemando de la misma forma que el suministrado con sus componentes.

• La utilización de este telemando no aumentará las funciones de sus componentes. Las funciones del telemando estarán limitadas a las de los propios componentes. Por ejemplo, si su televisor no posee función de silenciamiento (MUTING), la tecla **MUTING** de este telemando no trabajará con su televisor.

• Algunas funciones del componente pueden no trabajar con este telemando.

• Si su adaptador para cablevisión puede controlar el volumen, cerciórese de ajustar su selector de volumen a una posición intermedia. Si redujese completamente el volumen del adaptador para cablevisión, no podría ajustar el volumen de su televisor con el telemando.

Descripción de las teclas del telemando



Control de un televisor (TV)

3 Para utilizar la función de imagen en imagen. Presione cada tecla, o combinación de teclas, como se describe en la tabla siguiente.

4 Cambio del modo de entrada.

6 Para hacer que se visualice el canal actual en el televisor.

8 Para mover el cursor hacia arriba, hacia abajo, hacia la izquierda, o hacia la derecha.

9 Para invocar la visualización de MENU.

12 y 13 Para cambiar el canal. Por ejemplo, para cambiar al canal 5, presione **0** y **5** (o presione **5** y **ENT**).

Operaciones de PIP

Presione	Para
PIP	activar/desactivar la imagen de la “ventanilla”.
GUIDE	desactivar la imagen de la “ventanilla”.
◀◀ o ▶▶	cambiar el canal de televisión de la imagen de la “ventanilla”.
● REC	cambiar el modo de entrada de la imagen de la “ventanilla”.
■	cambiar la ubicación de la imagen de la “ventanilla”.
▶	intercambiar la imagen “principal” por la de la “ventanilla”.
 	congelar la imagen de la “ventanilla”.

Control de un videograbadora (VCR)	12	13
4 Para cambiar la salida de antena.	12 y 13	Para cambiar el canal. Por ejemplo, para cambiar al canal 5, presione 0 y 5 (o presione 5 y ENT).
4 Para hacer que se visualicen las indicaciones en pantalla.		
8 Para mover el cursor hacia arriba, hacia abajo, hacia la izquierda, o hacia la derecha.		14 Para pasar a canales superiores: +
9 Para hacer que se visualice el canal actual en el televisor.		15 Para pasar a canales inferiores: –